



RICYCLED™ Product Information

General Info across product range

Date November 2010

RICYCLED ASIA PACIFIC SDN BHD

www.ricycled.com

An Introduction to Ricycled™

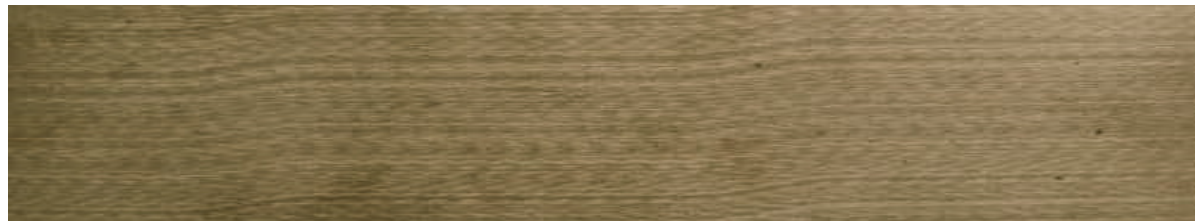


Biomass content: 55% - 60%
Rice husk waste from Malaysian farms is ground to a powder.



Plastic content: 40% - 45%
Waste PVC from Malaysia is finely ground.

During the Ricycled™ production process the two materials are mixed and extruded into a solid, wood like material.



WOOD THIS GOOD DOESN'T GROW ON TREES!



The Benefits of Using Ricycled™

1. More durable than wood: rot free, rust free, termite proof!



Termite Proof

2. Environmental benefits:

- Can be used as wood alternative, therefore reducing need for unsustainable wood. Using 1 tonne of Ricycled™ can save 3.3 tonnes of forest from being cut.
- Diverts biomass and plastic wastes from landfill and therefore reduces the release of greenhouse gases.
- Waste generated during production is re-used.
- At the end of it's life the Ricycled™ product could be returned to the factory to be crushed and re-extruded into a new product.



Product - Decking Tiles

Recycled Decking Tiles - 30cm x 30cm x 2.3cm deep

- 5 colours - Yellow Balau, Light Oak, Red Balau, Elm & Pine
- 4 grooved boards per tile
- each board 72mm wide & 12mm deep
- Weight incl. support/screws 1.50 kgs

Packing: shrink wrapped on pallet or boxed in 6's.

Colour shown is Elm



WOOD THIS GOOD DOESN'T GROW ON TREES!

icycled

Decking Tile Example being used in 'Wet Environment'



WOOD THIS GOOD DOESN'T GROW ON TREES!



Decking Tile Example being used Outdoors



WOOD THIS GOOD DOESN'T GROW ON TREES!



Product - Decking Boards 140mm x 21 mm



Colour shown is Yellow Balau (lacquered)

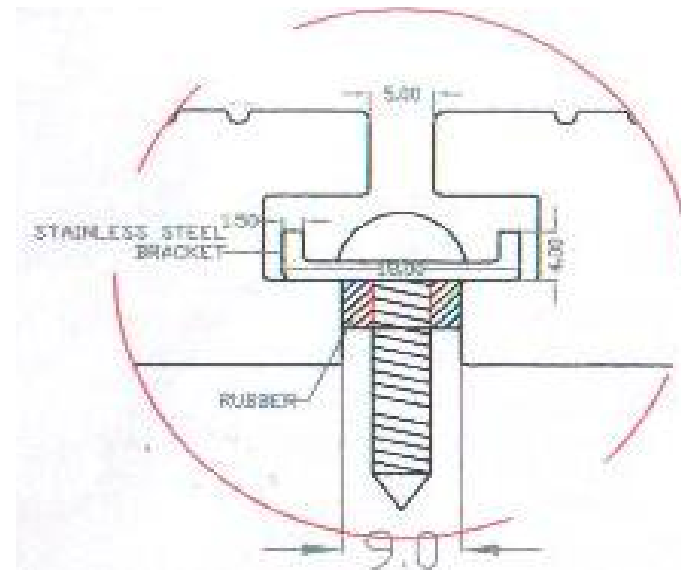
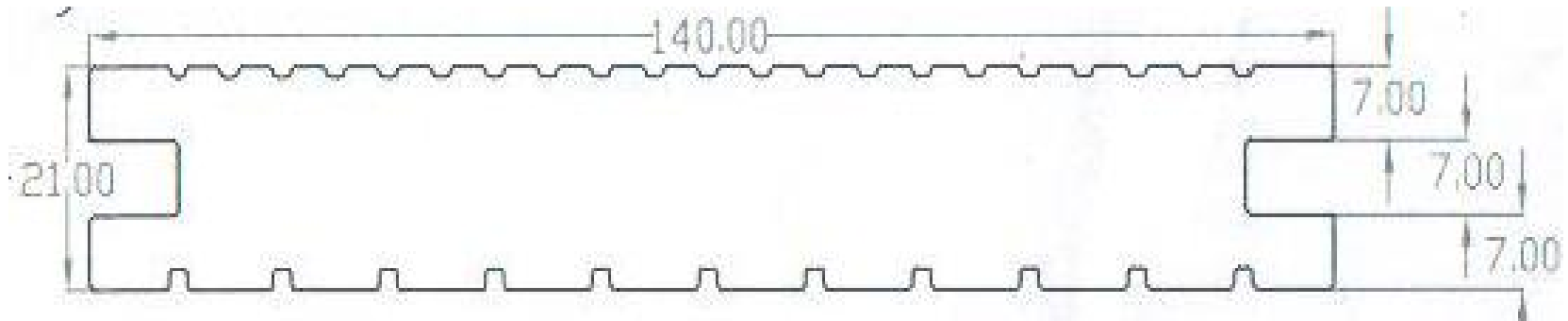
Grooved Decking Boards - 140mm x 21mm

- 5 colours - Yellow Balau, Light Oak, Red Balau, Elm & Pine
- Boards grooved, top and bottom. Side grooves for fixing.
- Weight per linear metre 3.66 kgs



Current Fastening Clips (provided)

Representation of Decking Boards & fastenings



WOOD THIS GOOD DOESN'T GROW ON TREES!

Decking Board being used in Pool Environment



WOOD THIS GOOD DOESN'T GROW ON TREES!



Vineyard Pipes / Fence-posts / Piles & Poles

Large bore pipes (shown) can be supplied in lengths up to 3 metres. External diameter is 100mm with a 10mm wall thickness. These pipes in 1m & 3m lengths are currently being used for a riverbank stabilisation / piling project in Malaysia

There is also a small bore pipe available, which has an external diameter of 30mm and a wall thickness of 12mm. A photograph of this can be seen at www.ricycled.com.

The test results carried out at the Forestry Research Institute of Malaysia (FRIM) are also available to download on the web-site.



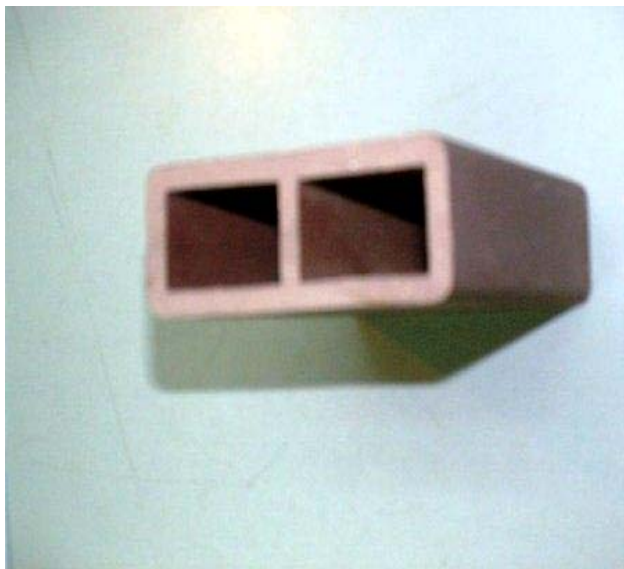
Recycled Vineyard Pipes - 1m x 100mm (diameter)

- natural colour	
- outer diameter	100 mm
- wall thickness	10 mm
- Weight of pipe per metre	3.82 kgs

Industrial Decking / Multi-purpose Boards

These multi-purpose “boards” have a hollow form to cut down on weight, which does not compromise strength (see FRIM testing results for Ricycled™ on web-site).

These boards could be used for flooring, joists or fence-posts.



Ricycled - Flooring / Joist (100mm x 38mm)	
- natural colour unless painted	
- weight per metre	2.25 kgs

Pallets

Ricycled Asia Pacific are pleased to announce their innovative pallet design, which is available in a range of sizes including 4-way and 2-way capability.

These pallets show dynamic and static loads of up to 2 metric tonnes.



Doorframes & Window Frames

DOOR FRAMES & WINDOWS



These frames do not warp, and are resistant to termites. Cost competitive designs suitable for even low cost housing building projects.

A range of doorframes and window frames are available including single and double rebate designs. They will be supplied in kitform together with the appropriate fastening mechanisms that allow seamless on-site installation (wet fitting).

Depending on the final design of the frames these will weigh between 10kgs and 14kgs assembled and ready for installation. Drawings for “standard” sizes are available on request.

100mm x 15mm Decking Boards in action



WOOD THIS GOOD DOESN'T GROW ON TREES!

Fencing.....



WOOD THIS GOOD DOESN'T GROW ON TREES!